

TRE PRODUCT CATALOGUE



T R E



CONTENT

TRE LOCKING DIFFERENTIAL

AIR SYSTEM

SUSPENSION

RECOVERY GEAR

WINCH

TRE STORAGE SOLUTION

PORTAL AXLE

SNORKEL

SOLAR SOLUTION

CAMPING

FRIDGE FREEZER

BUMPER/ROOF RACK/ROLL BAR/SIDE BAR

PROMOTIONAL ITEMS



TRE LOCKING DIFFERENTIAL

Application:

Chevrolet or GMC or Hummer

Chrysler or Jeep

Dodge

Ford

Holden

Hyundai

ISUZU

KIA

Land Rover

Mazda

Mahindra

Mitsubishi

Nissan

Santana

Ssang Yong

Suzuki

Toyota / Lexus

UAZ

Volkswagen

E-Locker

Application:

Chevrolet or GMC or Hummer

Chrysler or Jeep

Dodge

Ford

Holden

Hyundai

ISUZU

Land Rover

Mitsubishi

Nissan

Ssang Yong

Toyota / Lexus

TRE LOCKING DIFFERENTIAL

TRE Locking Differential is designed to take you to the destinations other dream about. A simple flip of a switch will provide maximum traction when needed and maneuverability when it is not. Our system provides an affordable and reliable option for those wanting the most out of their off-roading adventures.



TRE4x4 provides a stable 5-year warranty with extensive distribution network and high-quality after-sales service to provide 100% after-sale protection.



Strongest 4320 chromoly alloy steel gears provide the most rugged quality and the most stable work efficiency.



Under the continuous research and development of TRE4x4, more available models for more popular models are constantly being updated.



The hardest hardness and increased thickness to make it provide the best working efficiency and stability when locked.

TRE DIFFERENTIAL COVER



The TRE Differential Cover is designed to give your gears maximum protection when the going gets tough and stylish looks when you are cruising.

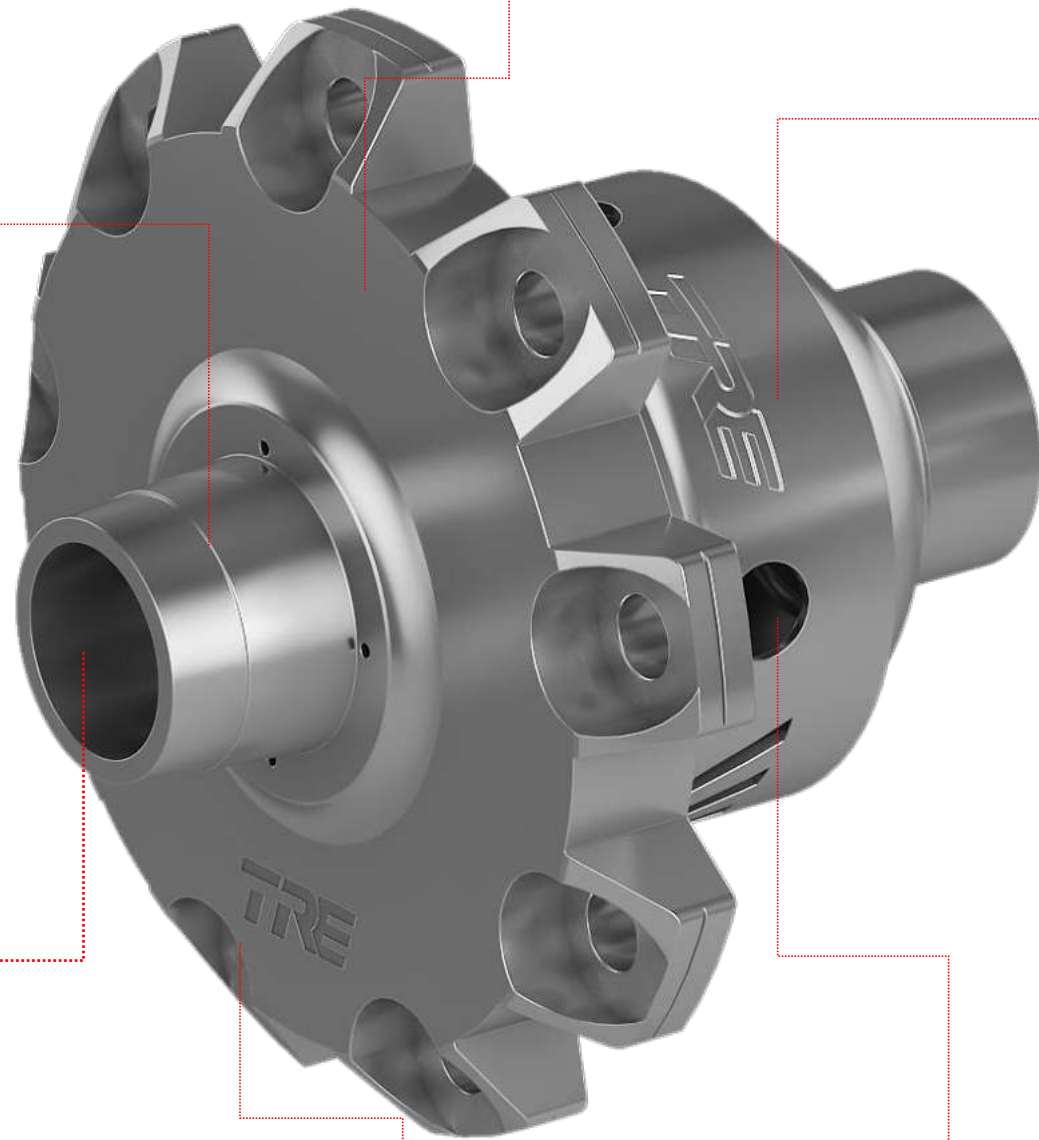
Made from high-strength materials, nodular
Designed and produced for extreme off road
Increase lubricant oil capacity

AIR LOCKING DIFFERENTIAL

Heavy industry and agricultural alloy materials are used as raw materials, to guarantee the maximum ruggedness of parts.

Two-layer design provides more precise matching and higher work efficiency, reduces grinding and instability caused by moving parts.

Strongest materials forced 8620 steel for differential case, 4320 chromoly alloy steel for gears



Both available for most popular 4 wheel drive and 2 wheel drive vehicle model on market.

Unique oil return design keep your differential under lubrication protection away from unwanted wear.

Tough hardened and thickness increased clutch gear to provide best work efficiency and stability.

E-LOCKER

TRE E-Locker is an electronic differential. Is engaged by electric. The magnet in the E-Locker is powered, pushing the gear to lock both axles, sending 100% traction to both wheels.

- Electromagnetic Locking Mechanism
- Push Button Solution To Traction Problem
- Locks And Unlocks When Necessary
- Improved Strength and Durability
- A Must For All Traction/Off-Road Performance
- NO AIR LINES, NO COMPRESSOR - JUST TRACTION



CRAB LOCKER

- Well designed structure without wear parts, without air leak risk
- Lock the two axles as fast as you need the traction
- New designed, Road Tested, Proved
- Simple design with Easy Installation



TRE AIR SYSTEM

TRE PORTABLE COMPRESSOR KIT



The Portable compressor kit comes with a full wiring loom and mounting hardware for easy installation, whilst the portable kit includes a 6 metre air hose, battery clamps, inflation kit and a durable carry case.

We can easily meet any of your needs, whether they be for work or play.

- Equipped with TRE4x4 Airmax digital tire inflator
- Portable : Small enough to accommodate the narrowest space
- Contains PTFE to provide maximum trouble-free service life
- Multifunctional: Inflate tires and perform other functions, such as camping or leisure equipment



AIRMAX TIRE INFLATOR HOSE

The AirMAX Tire Inflator Hose can handle the output tolerances to get the job done and keep you on the road.



AIRMAX DIGITAL TIRE INFLATOR

The AirMAX Digital Tire inflator reads in 1% accuracy and 0.1 PSI Resolution, it also provides accurate readings from 0 to 200/250 PSI single digit pressures.



AIRMAX E-Z TIRE DEFLATOR

Using the AirMAX E-Z Tire Deflator and quickly deflate the tires to your preferred level, easily and accurately.



TRE DIFF BREATHER KIT

It allows the diffs, transfer case and gearbox to breathe by relocating the breather to a higher point on vehicle and stopping the affect of water being sucked into diff housings and gearboxes.



TRE TIRE REPAIR KIT

TRE tire repair kit is ideal for repairing punctures in the tubeless tires of Motorcycles, ATVs, Bikes, Jeeps, Trucks & Cars. Includes everything you need to quickly repair punctured tires on sedans, bicycles, SUVs, tractors, and almost all tubeless tires.



TRE AIR COMPRESSOR

With your TRE Air Compressor, you can control your TRE Air Locker when you need more traction on the trail and so much more, Air up your tire up when you going from the trail to the road and fill you air atress when you go to the campsite.

- 12V and 24V compressor both available
- Every compressor passed air leak test before packing
- Running Air Locking Differential and Also inflating tyres
- Equipped lubricating oil return system



AIRMAX AIR-PRO PORTABLE COMPRESSOR

Flow rate: 150 LPM.
 Maximum pressure: 150 psi.
 Heavy duty 12V motor.
 Max. Amperage: 50Amps, with inline fuse for compressor protection
 1.8m power cord and 5m flexible fiber reinforced air hose.
 Built-in on-off switch.
 DC Motor: 540W, Cylinder diameter: 2x40mm.



AM-PC-D01	Compressor Portable Air- Pro
-----------	------------------------------

AIRMAX ONBOARD COMPRESSOR

Supply air for tire, air locking differential, horn, suspension.
 Power supply: DC 12V or 24V
 Rated current: 23A
 Cylinder diameter: 40mm
 Max pressure: 300PSI
 Max duty cycle: 30minutes
 Air hose: 5m PU
 Cord: 2m
 Tank: 8L
 Fill Rate(8L Tank): 0-120PSI 1Min. 40Sec. 80-120PSI 40Sec

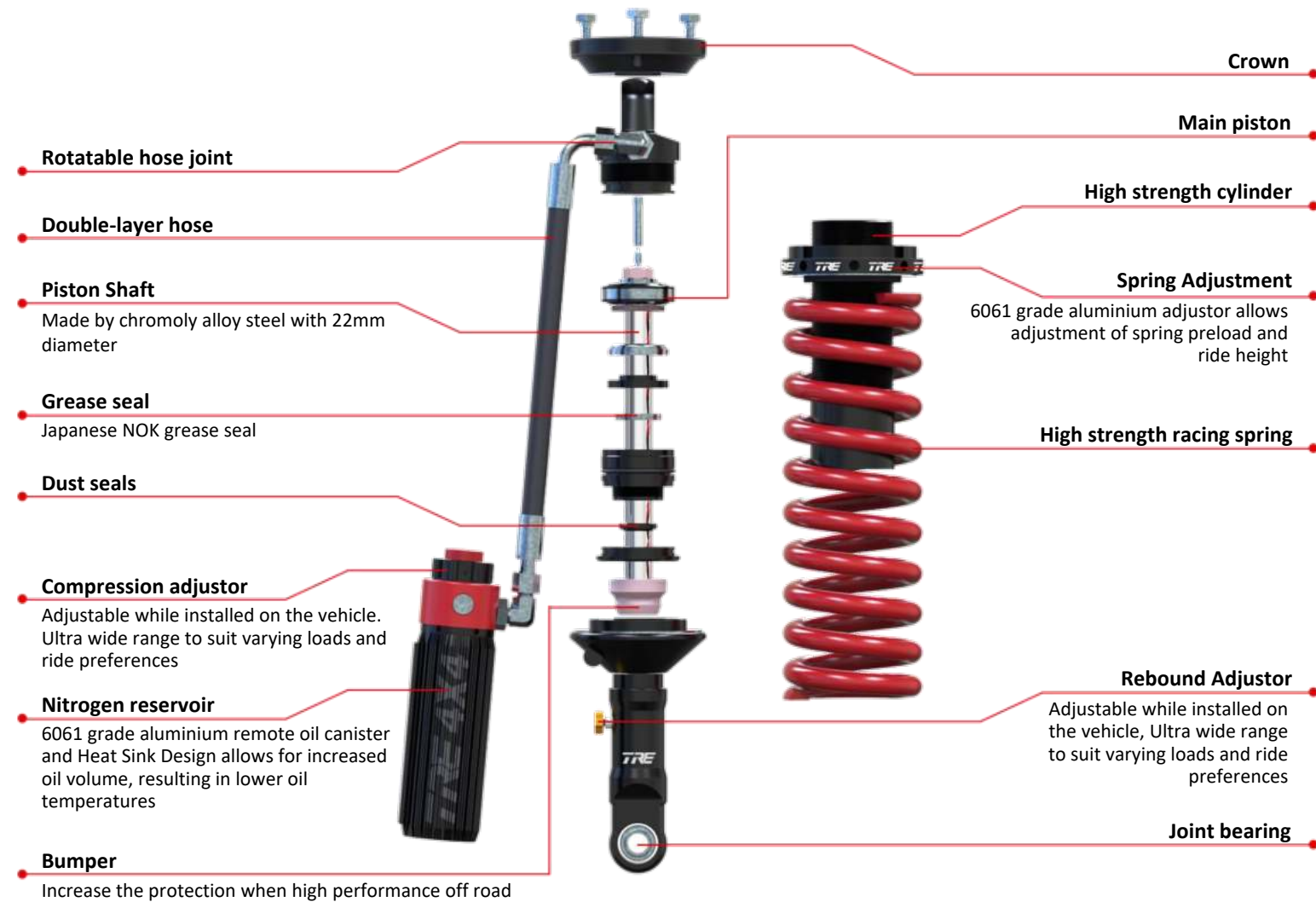


NET WEIGHT	PRODUCT SIZE	PACKING SIZE
9.5kg/pc	545*165*365mm	560*180*380mm 1pc/ctn

SUSPENSIONI



TRE NITROGEN SHOCK ABSORBERS



In up or off road driving activities, such as climbing hills or traveling on rough fire-fighting roads, TRE4x4 nitrogen shock absorber helps to minimize "rough" driving because the piston movement can pass the initial travel movement of impact, ground impact or force. Extremely small.

TRE COILOVER SHOCK

TRE4x4 Nitrogen shock absorber is designed to improve vehicle's performance of load carrying capacity and control characteristics in every adventure .



TRE TWIN TUBE SHOCK

With test of high and low temperatures, TRE4x4 conduct high-quality analysis and pay more attention to the roughness of the shock absorber.



STEERING STABILISERS

TRE steering stabilizer helps take the load off your steering components and keep your tires tracking straight and true. Oversized off-road tires have a tendency to seek out traction in any direction.



BUMP STOP

The TRE nitrogen bump stop providing a wide range of bottoming control. The durable construction and replaceable Delrin® strike pad are built to take the abuse while providing predictable and quiet operation. TRE bump stop available at 2", 3" and 4" model.



COIL SPRING

TRE offering wide range of international coil springs, such as raised height and heavy duty 4wd springs, with highest quality replacement coil springs insure your off road trip safe and enjoyable.



CONTRAL ARM

TRE Control Arm tend to prevent the car from shaking (or more precisely, not to lean to one side or the other). This is what the swing bar does: to prevent the body from tilting



EXTENDED SHACKLE

TRE Extended Shackle is made of 6082 T6 alloy to providing correct wheel positioning and larger operating clearances and further increase the ride height



PANHARD ROD

Panhard rod allows excessive sideways movement between the axle and the body at the ends of the spring travel. Unless desirable on smaller cars than larger ones.



BRAKE HOSES

TRE brake hoses are high-quality reinforced hoses that carry fluid to transmit force in hydraulic brake systems. Double crimp joints to provide longer service life and durability.



RECOVERY

GEAR





TRE RECOVERY BOARD-I

Key Features

- Nylon material for excellent flexibility and durability
- Unique glass filled resin nylon teeth to reduce the wear from wheel spin
- Optimized design for contour ramps based on the data of 4x4 tire and TRE precision pattern data
- With heavy duty over-moulded Spare replaceable nodules
- TRE unique color and style
- TRE Pro-II recovery board come with a recovery leashes



TRE RECOVERY BOARD PRO-II

TRE RECOVERY BOARD PRO-II, specially designed with the unique effective function and beautiful appearance, is the most reliable friend of every driver got in stuck of the trip but no one's there could provide a hand. They would assist you in getting rid of the dilemma when lacking other traction in any toughest of conditions, like in sand, mud or even snow.

TRE RECOVERY BOARD PRO-II are strongly durable, wear resistant and high flexibility. With the unique composite construction EXOTRED, they could help the tyres restore the adhesion and provide the ultimate traction by maintaining a highly pressure on the tyres against the flex of being under vehicle weight on less than stable ground.



TRE RECOVERY KIT

TRE4X4 recovery kit is a comprehensive recovery kit containing everything required for a vehicle or winch based recovery.



Contents:

- 1 x Snatch Block, 9,000kg
- 1 x Snatch Strap, 8,000kg, 9m x 60mm
- 1 x Tree Trunk Protector, 12,000kg, 3m x 75mm
- 1 x Winch extension Strap, 5,000kg
- 2 x D-Shackles 4.75T each
- 1 x Winch Damper
- 1 x Gloves



TREE TRUNK PROTECTOR

Part number: TRG-SS-3

Reinforced eyes : Yes

Material: 100% polyester

Eye&seam protector sleeves: Yes

Min.breaking strength: 12000kg/26500LB



Length	Width
3m/10ft	75mm/2.95inch

SNATCH STRAP

Part number: TRG-SS-1

Material: 100% polyester

Eye&seam protector sleeves: Yes

Min.breaking strength: 8000kg/17500LB



Length	Width
9m/30ft	75mm/2.95inch

TRE 9T SNATCH BLOCK

Double the capacity of the winch

Has a certain elongation

Two piece pulley design to accept line

Heavy duty self lubricating pulley wheel



Weight Capacity	winch wire rope
9 Ton/20.000 lbs	1/4 inch - 1/2 inch

WINCH EXTENSION STRAP

Part number: TRG-SS-2

Reinforced eyes: Yes

Material: 100% polyester

Eye&seam protector sleeves: Yes

Min.breaking strength: 5000kg/11000LB



Length	Width
20m/66ft	50mm/1.97inch

TRE 8T SNATCH BLOCK

elastic properties

has a certain elongation

no disassembly required



Weight Capacity	winch wire rope
8 Ton/17,636 lbs	7/32 inch - 3/8 inch

WINCH RECOVERY S-HOOK(9 TON)



TRE4X4 S Hook, The ideal choice for competitive winches Challenge. It has a higher rated strength, which can provide you with a greater safety margin when winches.

TRE DAMPER

One winching precaution is the fitting of a recovery damper prior to a load being applied. The recovery damper will absorb most of the energy in the cable or strap, significantly reducing the recoil .

- Pocket for accessory storage
- Heavy duty durable vinyl construction
- Silver reflective tape for night time visibility
- Rubber-coated center section guards against sliding
- Complies with 4WD competition damper requirements



TRE D-SHACKLE

TRE shackles belong to rated type S and help your strap attach to the vehicle. TRE has three different size shackles from 2T to 4.75T. They will work for most 4x4s and are designed for recovery only .

- Working Load Limit number forged into the steel
- Double-layer anti-rust and anti-corrosion process
- Black powder coating and red pin for easy identification
- Type "S" Shackle rated and tested to at least 6 x Working Load Limit (WLL)



TRE EXHAUST JACK

TRE Exhaust Jack is an essential recovery tool When your vehicle has unexpected emergencies.

- Complete set of tools
- Allows Lifting on All Terrains
- High tenacity 1500D Nylon most durable
- The bag will stay inflated for over an hour
- Safely lift your vehicle up out of a mud or bog in second



TRE SOFT SHACKLE

Soft Shackle is an essential part of any recovery kit. TRE Soft Shackle provide a lighter, more versatile, and safer option. It's rugged and strong .

- UV Resistant properties
- Water resistant & Floats
- Light weight and won't rattle
- Brightly colored RED so it can be seen in low light or in mud
- 32,000lbs breaking strength, suitable for vehicles up to 7700lbs

TRE FARM JACK

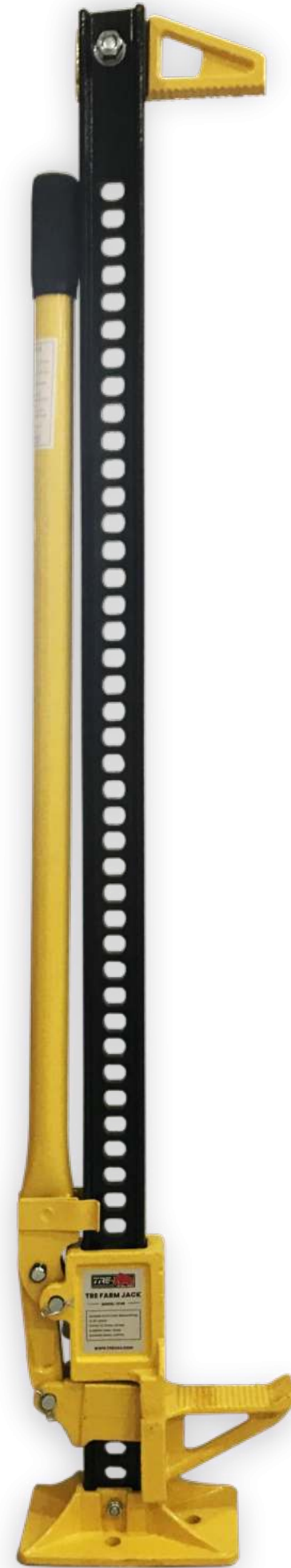
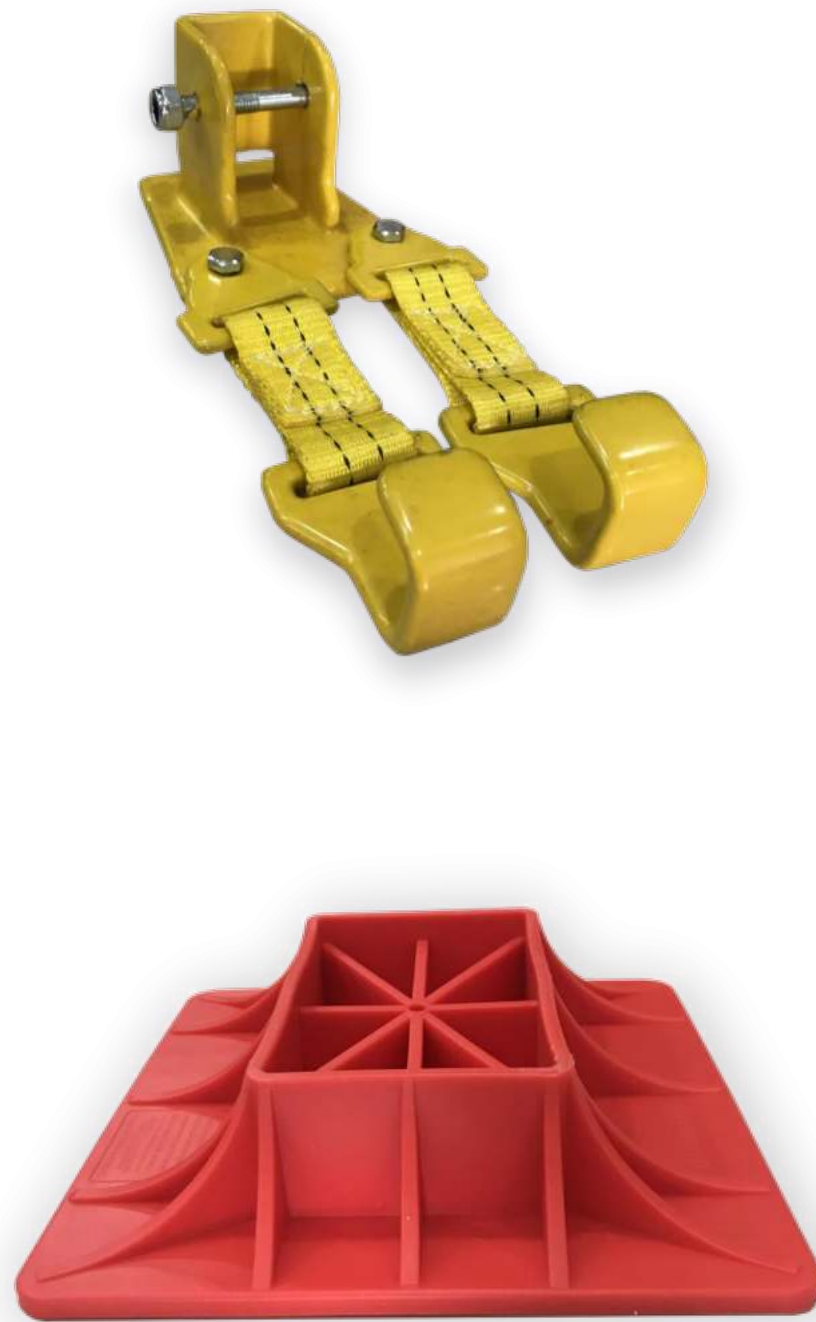
MAXIMUM RATED LOAD 4660lbs(2273kg)

AT 48" (121cm)

TESTED TO 7000lbs. (3275kg)

CLAMPING 750lbs. (340kg)

WINCHING 5000lbs. (2267KG)



TRE Folding Ground Anchor

The winch is almost useless if missing a suitable anchor point, therefore, a ground anchor, like the TRE portable ground anchor, is a worthwhile investment. Used by many emergency services all over the world, the Portable Ground Anchor weight just 31 pounds. TRE Folding Ground Anchor can be easily carried around and can be easily folded and stored neatly.



WINCH

High performance series wound copper motor
6.0hp/4.5kw, 12v DC ribbed heat sink cools motor
faster.

Available with steel or synthetic
rope,with pulling capacities
from 6000lbs to 17000lbs

Wired remote : Easy to use, with 12' lead

Aluminum hawse fairlead

Wireless remote : Providing a wireless range of long



Smooth operating clutch with waterproof o-ring

Two-stage planetary gear train,efficient low
friction design uses permanent grease
lubrication

Extra thick legs support high rotational loads

Designed for off-road driving

Super wide tie bar enhances strength. Ensure the winch
delivery a quiet, fast and reliable pulling power



6000 LBS Synthetic rope

6000 LBS Steel cable

It's only a matter of time before you run into trouble when you go off the main roads and start explore. Make sure you have the right equipment to get you out of any predicament to enjoy the adventure and experience. TRE TED Winch come in all shapes and sizes, provide the best solution for every off-roader to get out of trouble.



9500 LBS Synthetic rope

9500 LBS Steel cable



12000 LBS Synthetic rope

12000 LBS Steel cable



17000 LBS Synthetic rope

17000 LBS Steel cable



20000 LBS Synthetic rope

20000 LBS Steel cable





TRE HAND WINCH

Why choose TRE Hand winch?

Sometimes you are in a single player adventure situation, you may get stuck even installed the front winch. TRE hand winch will let you get off stuck easily even if you are alone. IT is more useful and much cheaper than installing a dedicated rear winch.

How to use?

TRE Hand Winch is relatively easy to install using a simple clamping system, and it is also one of the safest manual winches on the market with a winch shock absorber and the gloves provided. To use the winch, simply release the lock from the top and pass the winch cable through the system. Then secure the clip, connect the cable to the vehicle in need of repair, and install a luggage protector or similar on the other side. Then all you need to do is loosen the winch joystick until the vehicle is free to drive away.

This special winch can provide a maximum of 1600kg of traction, which is enough to handle most light four-wheel drive vehicles and 20 meters of cable, even if you have a considerable distance from the nearest forest line.



Feature:

- Maximum load limit: 1600kg(3500lbs)
- Pulling force: 5300lbs
- Cable size: 11mm x 20m
- Retractable handle
- Strong and lightweight aluminum alloy structure
- Weight (approx.): 23 kg
- Handle length, 31 inches closed diameter, 47 inches extension

STORAGE



SOLUTION

TRE SPACE CASE



The TRE Space Case is the ideal heavy-duty storage case for camping gear and tools.

FEATURES :

- Tough, rugged, and durable LDPE shell, built for any adventure!
- Preinstalled with gas struts to keep your lid open! (Except 52L)
- Steel Lockable Latches!
- Dust/Waterproof Gasket Seal!
- Stackable with like-sized TRE cases!
- Rope Handles with comfortable rubber grips to easily transport!
- Channels for use with ratchet straps to easy secure on your rig!
- Built in Drain plug for easy decompression or draining!
- Built in Bottle Opener so you are never thirsty!



52L

680*368*365 CM



82L

757*435*403 CM



105L

843*488*395 CM



160L

915*570*450 CM



95L

1215*480*285 CM



232L

1070*640*500 CM



TRE HIGH AND LOW DRAWERS



CARGO BARRIERS AND DIVIDER



TRE ROLLER KITCHEN BOX

DRAWER SYSTEM

TRE drawer system is the newest product of TRE. We spent a lot of effort in the design, and the problems found in each test were greatly improved. For a better user experience, we conducted many tests and finally produced the TRE drawer system. The designed products have been changed in the general drawer system, and new improvements have been made, which are more flexible and more convenient. In addition, they are also customized according to the model and have large space. The TRE Drawer system is designed not only for off-road vehicles, but also designed for other vehicles.



APPLICATION FOR SUV

BENZ G	Mitsubishi V33 Pajero	Nissan Y60	Toyota LC100A	Toyota LC120
ISUZU MU-X	Mitsubishi V73 Pajero	Nissan Y62	Toyota LC100	Toyota LC150
Jeep JK 2Doors	Mitsubishi V93 Pajero	Toyota 4Runner	Toyota LC200	Toyota LC150
Jeep JK 4Doors	Mitsubishi V97 Pajero	Toyota FJ	Toyota LC76	Toyota LC150GX5
Jeep JK 4Doors	Mitsubishi Pajero Sport	Toyota Fortuner	Toyota LC90	
Land Rover Defender 90	Nissan Y61A	Toyota LC60	Toyota LC90	
Land Rover Defender 110	Nissan Y61	Toyota LC80	Toyota LC120	

APPLICATION FOR UTE

AMAROCK	Ford F150	Mitsubishi Triton ML	Nissan D40-RX	Toyota Hilux 97-04
D-MAX/COLORADO	ISUZU RODEO 02+	Mitsubishi Triton MN	Nissan D40-STX	Toyota HILUX 150N
Ford Ranger 07-11	ISUZU RODEO88-02	Mitsubishi Triton MQ	NISSAN NP300	Toyota TUNDRA
Ford Ranger 12-15	ISUZU Troop 85+	Nissan D22	Toyota Hilux vigo 05+	

TRE PICKUP TOOL BOX



With 3-way opening design, the TRE Ute Box can be opened and accessed from each side of the box as well as the front. The TRE Box features locks located on each side, providing extra convenience and security for your belongings. TRE Ute Boxes offer a smarter and stylish storage solution for your dual or space cab vehicle.

Available for:
 Ford Ranger PXI/PXII 2011+
 Holden Colorado 2012+
 Isuzu D-Max 2012+
 Mazda BT-50 2011+
 Mitsubishi Triton MN and MQ
 Nissan Navara D40 and NP300
 Toyota Hilux 2004-2014 and 2015+

TECHNICAL SPECIFICATIONS
 Capacity: 200L (Extra Large)
 Weight: 21KG
 Size (closed): W575 x L1415 x H535
 Installation Time: Approx. 30 mins.

- Feature:**
- Fits most full-size modern trucks.
 - Strong but light-weight marine-grade aluminum structure.
 - The thickness is twice that of most other pickup truck toolboxes on the market.
 - Stainless steel hardware
 - Weather-resistant design
 - Drill-free installation kit.
 - The included weather strip for installation helps protect the truck from damage.

TRE WHEEL-WELL BOX CASE



TRE Wheel-well Tool Box is Easily clean, transport and pick and place items on the truck bed. The wheel well box is made of heavy-duty Abs plastic and is locked and sealed. There is a hole in the bracket for installing the lock that fixes the lock to the bed, and the bottom of the box can be pulled down to rotate the box outward for easy access.

TECHNICAL SPECIFICATIONS
 100% brand New
 Quantity Sold: One Set
 Location:Rear Driver Side
 Color/Finish:Black/
 Material:ABS
 Length:30.71"
 Width:9.06"
 Height:15.35"
 Packaging Type:Box
 No instruction included

- Feature:**
- Lightweight
 - Weatherproof
 - Spacious
 - Includes slider shelf
 - Easy installation
 - Lockable



ALUMINUM TRUCK TOOL BOX

TRE Aluminum truck tool boxes offer you confidence on the job and on your overland adventure, offering you dependable security for your tools, cargo and more. Extra-thick aluminum construction and stainless steel lock handles. They are available in several different dimensions, styles and finishes to perfectly suit each unique pickup truck bed.

- Feature:**
- Durability
 - Save space
 - Can prevent water from getting inside
 - Lockable to ensure all items are safe and reliable
 - Multipurpose

TECHNICAL SPECIFICATIONS
 Color: silver
 Material: Aluminum
 Location: Truck chassis
 Tread: Diamond plate
 Include key: yes
 Dimensions: 48.42" (length) x 15" (width) x 15" (height)



GULL WING CROSSOVER TOOL BOXES

With TRE Gull Wing Crossover Tool Boxes, you can easily open up the truck tool box from the side. You don't need to open the tailgate and climb up to reach the door. You don't need to have a usually long reach, either. That makes gull wing crossover tool boxes a great choice for convenience. If you need to store tools somewhere where you can easily grab them in a hurry, the gull wing style of crossover tool chest is a great option.



TRE 5TH WHEEL PARTNER BOX

The TRE 5th Wheel Partner Box adds extra storage for RV enthusiasts, utilizing the dead space between the 5th wheel hitch receiver area and the tailgate. This heavy-duty box is positioned in the rear of the truck bed. It's a handy place to keep your jumper cables, extra motor oil, chock blocks, tools and golf clubs. This all-aluminum truck tool box keeps your valuables secure and dry. 5th Wheel Partner tool boxes are available in sizes to fit all pickup trucks and come with a lifetime warranty. Also accept custom.





HARD LID

- Each lid is supplied with a unique set of keys.
- When the Load-Lid is opened water runs off the back of your lid and onto the ground - not into your tray.
- Full-Length Rain Channel to ensure your gear stays dry.
- Raised Profile would avoid the intrusions below the top edge of your wellside, also adds a staunch appearance, improves rigidity and reduces water pooling.
- Very Easy to Remove, and Refit!
- Enough space you'll need to carry objects such as a fridge, washing machine or quad bike in your wellside.
- Strong and tough materials could bear the heavy items on it.



ROLLER LID

- Electric Roller Lid & Manual Roller Lid
- Flat and solid looking
- Low profile design
- Weather proof
- Opens electrically with remote and stops in any position
- Increased security and remote lockable
- Able to transport tall goods
- Opens and closes when crossbar roof racks are installed
- Can open the tailgate while hard lid remains closed

UTE LINER

- Strong and durable materials
- Anti-slip floor
- High impact resistance
- Pieces design for simple installation
- Vehicle tie-down points retained
- Contoured design maximizes tub space
- Impact resistant and UV stable Polyethylene material
- Vacuum formed to meet the internal shape of the vehicle tub
- Texture finish to enhance the image of your vehicle



CANOPY

Customized interiors and provide the best choice for you

Safe and reliable T-lock locking



Fully sealed welding, stable and reliable

Weatherproof Seals

Shape perfectly match multiple vehicle models



FIBREGLASS CANOPY



ALUMINUM CANOPY



ALUMINUM CANOPY

TRE 4X4 offer a range of Aluminium ute canopies with extremely durable aluminium and seam welded for added strength to accommodate various vehicle styles and sizes: Dual cab, extra cab, single cab and part-tray canopy. Boast a stainless steel T-lock to ensure you can rest easy knowing your possessions are safe and avoid the hassle of having to replace stolen tools or other personal belongings.

We also offer a wide selection of optional extras to customize your canopy with such extras as ladder racks, extra internal support, windows and size customisations available to get the greatest benefit from it. Depending on whether you're needing one of our canopies for your profession or personal use, we can tailor our fantastic products to align with your individual needs and ensure you receive the most value for money.



FIBREGLASS CANOPY

TRE4x4 canopies with world class manufacturing ,Maximize the potential of your dual cab by installing a quality canopy to safely store your goods in the rear tray while protecting them from the elements. With technologies for fiberglass double shell canopies. Incredibly lightweight and strong to withstand the kinds harsh of wild conditions and light enough that it won't add any other heavy "pressure" to your vehicle.

TRE SPARE TIRE TRASH BAG

- Carries up to 50lbs of weight
- Made from high quality 900 denier canvas
- Water resistant interior coating for bad weather
- Drainage holes at bottom for unexpected leaks
- Fits a standard 30 gallon trash bag for ease of dumping



Item Weight	2.9 pounds
Package Dimensions	16x15.5x1.7 inches

TRE GASOLINE PACK

TRE gasoline pack is an ultra-durable, compact and modular provide extra fuel to your vehicle. After optimizing, the plastics specification can against color fade and mechanical degradation. Common mounting locations are on top case luggage racks, side case racks or attached to luggage systems themselves and you can increase your capacity .



- Flexible customization is permitted between multiple packs
- Rotationally molded for unrivaled strength and colorfast
- TRE Gasoline Pack designed to secure via its central port
- Extra thread with a reliable sealing gasket



TRE PORTAL AXLE



TRE BOLT-ON PORTAL

Description:

Special axle bolts designed specifically for the popular 4WD vehicles, TRE4X4 Portal not only improves the safety of the drilling rig, but also very strong and reliable in most situations under adverse conditions. TRE4X4 bolt-on portal axles is designed to keep people alive in battle, and is sufficient to cope with the most dangerous trails and even open up new ones.



Feature:

Portal axles (or portal gear lifts) are an off-road vehicle suspension and drive technology where the axle tube or the half-shaft is off-set from – usually above – the center of the wheel hub and where driving power is transferred to each wheel via a simple gearbox, built onto each hub.

lift the car 20cm/30cm

The whole axle, include the bolt-on portals, lockers, brake disk and brake parts.

Ring and Pinion ratio: 6:35

Portal Axle Ratio: 16:33

Suitable for all 4x4 vehicles

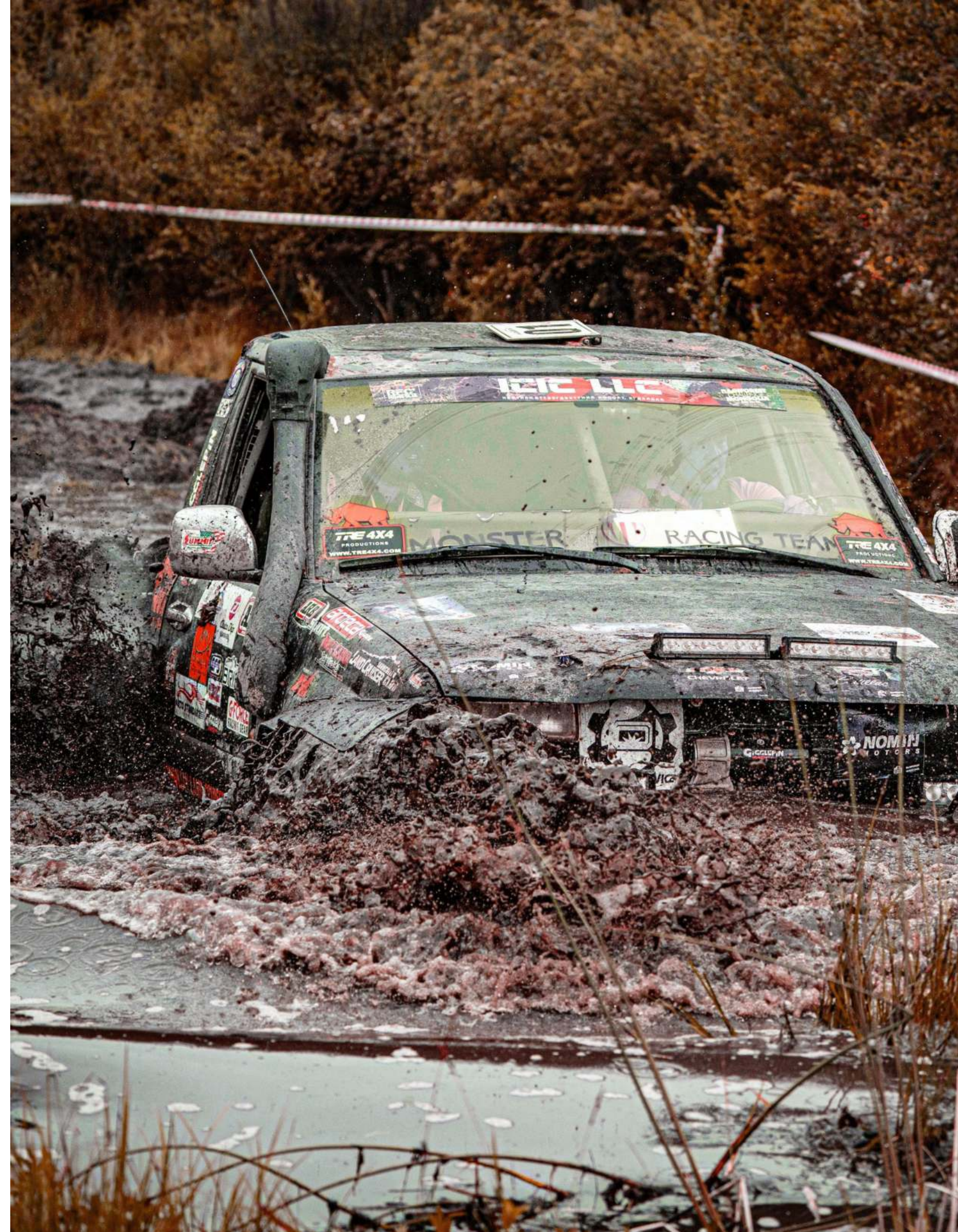
Width:1590mm

Warranty:2 years

SNORKEL

Driving through the outback sometimes requires your vehicle to get river crossings, This means it will be low and close to the ground and being close to the ground means the vehicles intake will be more prone to suck in dust and if submerged in water it will have no choice but to suck in water which will lead to catastrophic engine failure.

A snorkel is a device that fits onto your engine's air intake and allows your vehicle to continue to 'breathe', even as you're passing through creeks and rivers that may be up to the doors.



PORTABLE SOLAR KIT

TRE4x4 Portable Solar kit offer the most versatile and convenient battery charging options for those offroader who often haunts the worst wilderness . The Anderson-style battery charging connectors allow you to quickly interchange the charging accessory to best suite your needs – from maintaining your RV or trailer battery while on the road to trickle charging your car, ATV or boat battery. Adjustable folding legs to maximize solar exposure and for compact easy storage. Multiple charging connectivity options.



SOLAR REGULATOR

Pulse Width Modulation (PWM) Solar Regulator is the most effective means to achieve constant voltage battery charging by switching the solar system controller's power devices. When in PWM regulation, the current from the solar array tapers according to the battery's condition and recharging needs.

- Multiple Electric Protection
- High efficiency series charging mode extends battery life
- Dual mosfet reverse current protection, low heat production
- Comes with a display that can clearly indicate the status and data



SOLAR INVERTER

MARS-SOLAR Solar inverter is the most important elements of the solar electric power system. It converts the variable direct current (DC) output of a photovoltaic (PV) solar panel into alternating 240V current (AC). This AC electricity then can be fed into your home or car to operate.

- External insurance sheet
- Multiple automatic protection
- Front and rear isolation design
- Multiple output receptacles supported
- Isolated input/output design with 360° protections

SOLAR BLANKET

Converting virtually unlimited supply of solar power to much needed battery juice for your mobile devices such as an iPhone, iPad and many, many more USB portable devices. Monocrystalline silicon design, high solar conversion rate, folding design, easy to carry and use.

- No additional battery needed for charging external devices, 100% green energy with zero carbon footprint
- Built-in dual USB ports
- Highest-efficiency mono-crystalline panels fold up into a compact, portable and light weight pack



SOLAR PANEL

The MARS-SOLAR Monocrystalline Folding Solar Panel is an eco-friendly backup power source that's ideal for outdoor sites and activities. It can be folded neatly in seconds, and is conveniently portable with its sturdy carry handle and lightweight aluminium frame. With MARS-SOLAR Monocrystalline portable solar panel, access solar power anywhere!

- Monocrystalline Solar Cells, High Energy Conversion
- Eco-Friendly Backup Power Source
- Easy to carry, easy to use, no construction needed, comes ready to use.



CAMPING

A white Isuzu TRE 4x4 SUV is parked on a grassy field with a rooftop tent mounted on its roof. The tent is a light tan color with a grey roof and is supported by a silver ladder. The background features a clear blue lake reflecting the surrounding rugged, rocky mountains under a blue sky with scattered clouds. The overall scene is a scenic mountain landscape.

ACCESSORIES

ROOF TENT

TRE roof tent is an accessory when you go on travelling outside. It allows the users to sleep in relative safety and comfort above the vehicle, and leaves the internal load-space free. ... they provide excellent protection from wildlife and the elements!

You can escape the city life at any time, go out and enjoy the fun of the nature. Enjoy more time relaxing with your friends and family. TRE roof tent gives you the freedom to camp anywhere you can park.

MOUNT-A TENT



Material: 280G ripstop sash cotton plaid, PUcoating, waterproof1500-2000, sunscreen50+
 Frame poles: lightweight aluminum alloy
 Door and side windows: 110g environmental fixing gauze
 Sunroof: 420D Oxford, PU coating, waterproof1000-1500, sunscreen30+

One of the most important features of a tent is the part you sleep on. This is the inner environment of the tent. The sight is very clear.

Mount-A Dimensions

MODEL	OPEN SIZE	PACKING SIZE	WEIGHT(G.W./N.W.)
Mount-A 1.4M	240X140X126cm	143x125x30cm	50.8KG/48.5KG
Mount-A 1.6M	240X160X126cm	163x125x30cm	54KG/51.5KG
Mount-A 1.9M	240X190X126cm	193x125x30cm	61KG/56.5KG

MOUNT-B TENT



Material: 280G ripstop sash cotton plaid, PUcoating, waterproof1500-2000, sunscreen50+
 Frame poles: lightweight aluminium alloy and side windows:110 g environmental fixing gauze
 Sunroof: 420D Oxford, PU coating, waterproof1000-1500, sunscreen30+

Mount-B Dimensions

MODEL	OPEN SIZE	PACKING SIZE	WEIGHT(G.W./N.W.)
Mount-B 1.4M	310X140X126cm	143x125x30cm	52.7KG/50.6KG
Mount-B 1.6M	310X160X126cm	163x125x30cm	57KG/53.5KG
Mount-B 1.9M	310X190X126cm	193x125x30cm	61KG/56.5KG



NORA TENT

Material: 280G CVC (canvas) PU2000mm, waterproof, water repellent
 Housing Material: ABS housing
 Tent frame poles: lightweight aluminum alloy
 Door and side windows: 110g environmental fixing gauze
 Mattress : spongia, 30 density
 Sunroof:420D Oxford, PU coating, waterproof2000, sunscreen30+

MODEL	FOLDING SIZE	OPEN SIZE	PACKING SIZE	WEIGHT(G.W./N.W.)
NORA- 2.1M	204*120*35CM	210*204*125CM	215*132*39CM	N.W.82KG/ G.W.97KG
NORA -1.6M	160*120*35CM	160*210*125CM	175*130*39CM	N.W.68KG/G.W.81KG

DURO TENT



Housing material :ABS plastic

Material :280g Oxford (ripstop),PU 2000mm waterproof, water repellent

Ladder: 2m Telescopic aluminum ladder

Mattress: 205*120*5 CM stable spongia, 30 density Cabinet quantity: 29PCS/20FCL

MODEL	OPEN SIZE	PACKING SIZE	GROSS WEIGHT
TRE-D-1	210*125*90CM	215*130*33CM	67KG

ALUMINUM ENCASED AWNING

When you are in the wild and exposed in the sun , TRE awning offer you a space to rest. With the aluminum case, your awning is well protected. The awning is waterproof and uv protected. Your awning will always be there whenever you need it !

MODEL	PACKING SIZE	N/G
200X250cm	215x12x12cm	16kg
200X300cm	215x12x12cm	18kg
250X250cm	265x12x12cm	17kg
250X300cm	265x12x12cm	18kg
300X300cm	315x12x12cm	18kg



AWNING

Including LED light



When you are in the wild and exposed in the sun , TRE awning offer you a space to rest. This awning is easy to mount and operate. The awning is rugged but lightweight ,it fits on the side of a roof rack so as to conveniently stored. The awning is waterproof and uv protected. Your awning will always be there whenever you need it !

MODEL	PACKING SIZE	N/G
200X200cm	207X13X11cm	10/9.2kg
200X250cm	207X13X11cm	10.6/9.4kg
200X300cm	207X13X11cm	10.35/9.5kg
250X200cm	257X13X11cm	10.6/9.4kg
250X250cm	257X13X11cm	11.3/10.2kg
250X300cm	257X15X13cm	14/12.8kg

BAT AWNING

MODEL	PACKING SIZE	N/G
Radius2M	205X15X15cm	15kg/13.5kg
Radius2.5M	255X15X15cm	
Radius3M	305X15X15cm	

when you open TRE batting awning. It could expand 270°, provide provide instant shelter and a larger space for users. It specifically designed for harsh outback conditions.and this bat awning is waterproof . when you are in the wild , you don't need worry about the rain.



MOUNT-B ANNEX

Annex is the perfect addition to the Rooftop tent for those looking for extra space. Annex provide more space for the users. You could use them as a change room or even an area for the kids to sleep. The annex is quick to setup and provides functional, sheltered, ground level space.

MODEL	SIZE
TRTT-ANX1.4M	1.4M
TRTT-ANX1.6M	1.6M
TRTT-ANX1.9M	1.9M



BAT AWNING ANNEX (BAT AWNING WALL)

Bat awning annex is the perfect addition for those looking for extra space. Annex provide more space for the users. You could use them as a change room or even an area for the kids to sleep. The annex is quick to setup and provides functional, sheltered, ground level space. This annex needs to be used with TRE bat awning.

Enhance your outdoor experience with the perfect addition to the Falcon 270 Awning. Add the optional Wall A to the Falcon 270 Awning to increase the size to your overall coverage and ensuring to protect yourself from the elements.

MODEL	N/G
2M	7kg
2.5M	8kg



GOUZE ROOM

This Gouze room needs to be used with TRE awning.

This could help you avoid the sunshine shooting. It not only offers you some private space, but also prevents insects from entering.



MODEL	SIZE
TRTT-GR2X2-001	200X200cm
TRTT-GR25X2-002	250X200cm
TRTT-GR25X25-003	250X250cm
TRTT-GR25X3-004	250X300cm

AWNING ANNEX

Awning annex is the perfect addition for those looking for extra space. Annex provide more space for the users. You could use them as a change room or even an area for the kids to sleep. The annex is quick to setup and provides functional, sheltered, ground level space. This annex needs to be used with TRE awning. You need to choose the model according to your awning size.



MODEL	SIZE
TRTT-SANX2X2-001	200X200cm
TRTT-SANX25X2-002	250X200cm
TRTT-SANX25X25-003	250X250cm
TRTT-SANX2X3-004	200X300cm
TRTT-SANX3X3-005	300X300cm

Whether you want to keep out of the hot sun, or stop the rain getting into your campsite. TRE Awning Wall is a necessity to make the most of your Awning.

As a great shade solution, the awning side wall is designed to be easily adapted using walls to create a longer wind break and. Double your shade and shelter for a fraction of the cost of a new awning.

MODEL	SIZE
TRAWN-ASW-001	200X200cm
TRAWN-ASW-002	250X200cm
TRAWN-ASW-003	300X200cm

AWNING SIDE WALL



SWAG

380g rip stop canvas, 100%water proof and simple design

Lightweight and easy to put it in your car

Easy to use and very comfortable



2 windows with heavy duty mesh

Mattress included , you would enjoy a good sleep

With PVC carry bag,you could take TRE swag to any place you want

Camping has never been as easy and hassle-free as a night in TRE swag. TRE swag is versatile. It's perfect for offroaders and overnighers or longer trips.TRE Swag is compact enough to fit in almost any vehicle.It is waterproof and could offer you a dryad warm environment when you sleep.TRE Swag is compact enough to fit in almost any vehicle. This is the swag you need when you want to escape the city and get close to nature.TRE swag will offer you a safe & trusted choice.

- Material :340grip-stop canvas
- 3 hoop dome: aluminium,bending
- Mattress: 205*135*6 CM Sponge Non-Deforming Sponge
- Mattress, Density 30, vacuum packed
- Floor: 500gsm PVC
- Carry bag: PVC oxford in black color
- Unfolding Size: 210*145/90(at head)*135/50(at feet)CM
- Packing Size:70*30*30CM in carton
- G.W.: 12.3kg SBS ZIPPER







PORTABLE FRIDGE FREEZER

TRE ICERHINO FRIDGE FREEZER

Overview

TRE ICERHINO ----the fridge for people on the move.

No matter where you are boating, four wheel driving or camping adventures , ICERHINO fridge/freezers offer Excellent performance with the temperature range from -18 degrees to 10 degrees Celsius. It's capable of being powered from 12V and 24V car battery and also be able to be powered from 110V-240V mains at home as well. With renowned compressor technology ,Germany designed and highly efficient cooling system , TRE ICERHINO provides low power consumption, quiet and efficient operation and trouble-free enjoyment.



Feature

- Stainless Steel cabinet ,hinges, locks and handles.
- 3 Internal baskets included.
- Lower noise, healthy for baby sleeping.
- Temp Variance: -18°C to 10°C.
- Super freedom, house hold and outdoor dual application.
- Renowned SECOP compressor technology .
- Polyurethane insulation.
- Multi-voltage , operate at DC 12V and 24V, AC 240V.
- Smooth walls, hygienic and easy to clean.
- Internal bright LED light.
- Digital control.
- USB port can charge small devices (0.5A).
- Available in 41, 48, 58, 68, 80 and 95 Litre capacities.
- 3 Year-warranty.

41L Ice-Rhino Fridge Freezer



Model No.: TR-NF-41L
 Power supply: AC 100-240V DC 12/24V
 Refrigerant: R134a
 Foaming agent: C5H10
 Climatic Class:10-43°C (SN/N/ST/T)
 Cooling temperature: 10 to -18°C
 N.W/G.W. : 16.5/18.5kg
 Unit dimension: 74.8x41.0x40.3cm
 Package dimension:73.7x47.5x45.8cm

48L Ice-Rhino Fridge Freezer



Model No.: TR-NF-48L
 Power supply: AC 100-240V DC 12/24V
 Refrigerant: R134a
 Foaming agent: C5H10
 Climatic Class:10-43°C (SN/N/ST/T)
 Cooling temperature: 10 to -18°C
 N.W/G.W. : 17.0/19.0kg
 Unit dimension: 74.8Lx41.0x42.8cm
 Package dimension:73.7x47.5x48.3cm

58L Ice-Rhino Fridge Freezer



Model No.: TR-NF-58L
 Power supply: AC 100-240V DC 12/24V
 Refrigerant: R134a
 Foaming agent: C5H10
 Climatic Class:10-43°C (SN/N/ST/T)
 Cooling temperature: 10 to -18°C
 N.W/G.W. : 18.0/20.0kg
 Unit dimension: 79.5x44.8x43.5cm
 Package dimension: 78.9x51.4x48.3cm

68L Ice-Rhino Fridge Freezer



Model No.: TR-NF-68L
 Power supply: AC 100-240V DC 12/24V
 Refrigerant: R134a
 Foaming agent: C5H10
 Climatic Class:10-43°C (SN/N/ST/T)
 Cooling temperature: 10 to -18°C
 N.W/G.W. : 10.0/22.5kg
 Unit dimension: 79.5x44.8x49.5cm
 Package dimension: 78.9x51.4x54.3cm



80L Ice-Rhino Fridge Freezer

Model No.: TR-NF-80L
 Power supply: AC 100-240V DC 12/24V
 Refrigerant: R134a
 Foaming agent: C5H10
 Climatic Class:10-43°C (SN/N/ST/T)
 Cooling temperature: 10 to -18°C
 N.W/G.W. : 23.5/27.5kg
 Unit dimension: 97 x53.2x41.0cm
 Package dimension: 97.4x60.0x46.6cm



96L Ice-Rhino Fridge Freezer

Model No.: TR-NF-96L
 Power supply: AC 100-240V DC 12/24V
 Refrigerant: R134a
 Foaming agent: C5H10
 Climatic Class:10-43°C (SN/N/ST/T)
 Cooling temperature: 10 to -18°C
 N.W/G.W. : 25/30kg
 Unit dimension: 97 x53.2x46.7cm
 Package dimension: 97.4x60.0x52.1cm

TRE CLASSIC FRIDGE FREEZER

Wanting to keep the beer cool on a trip to the outdoors? Going away for a while and there's food that needs to be kept in a freezer? The TRE Portable Fridge is a great choice of kit for those looking for a fridge/freezer portable appliance whether you're off to the park for a picnic, or on the road camping for months, the New TRE Portable Fridges are invaluable for keeping your food fresh and your drinks cold! It's capable of being powered from 12V and 24V car battery and also able to be powered from 110V-240V mains at home as well. What's more, TRE have 3 level car battery protect system that your vehicle's batteries can stay charged without run down. Ready for hitting the high-way and have a wonderful time on your adventure? Let's go with the TRE Portable Fridge!



Features

- LCD display panel ,built-in LED light and internal basket.
- Suitable for Car and home using work on 12/24V DC and 110V to 240V AC.
- Can freeze down to -4°F(-20°C) for true car refrigeration and compact fridge at home.
- 3 stage car battery protection system to prevent the car battery run down.
- With portable handles on both side, easy for moving.
- Vibration resistant design to protect the device safety while driving on road.
- Safe to run on angles up to 45°from horizontal—great for 4WDing!
- High efficiency compressor with adjustable ECO and HH modes.



35L Classic Fridge Freezer

- Exterior Dimensions:27.2 x 13.6 x15 inches
- Capacity:37 Quart(35 Liter)
- Rated power: 45W
- Weight:28Lbs



45L Classic Fridge Freezer

- Exterior Dimensions:27.2 x 13.6 x18.2 inches
- Capacity:48 Quart(45 Liter)
- Rated power: 45W
- Weight:30Lbs



55L Classic Fridge Freezer

- Exterior Dimensions:27.2 x 13.6 x20.6 inches
- Capacity:58Quart(55 Liter)
- Rated power: 45W
- Weight:35Lbs



TRE S-DROP FRIDGE SLIDE

- Fridge Tray Size: 700*400mm
- Fit all TRE classic fridge
- Maybe fit other brand fridge



TRE M-DROP FRIDGE SLIDE

- Fridge Tray Size: 770*468mm
- Fit all TRE fridge except 80 and 96L fridge
- Maybe fit other brand fridge



TRE L-DROP FRIDGE SLIDE

- Fridge Tray: 820*520mm
- Fit all TRE fridge except 80 and 96L
- Maybe fit other brand fridge



TRE FRIDGE SLIDE WITH TABLE

- Fridge Tray: 830*480mm
- Fit all TRE fridge except 80 and 96L
- Maybe fit other brand fridge





COOLER

Keep your food and drinks cold for an extended time, and make the fun last longer, you'll have plenty of space for refreshments for the entire party. Whether you're headed on a long weekend camping trip, a road trip, or out to a BBQ, TRE cooler make getting to your destination easy and comfortable. Two-way handles and light weight make you lift and carry easily.



25L



50L



80L

Feature

- Extra-thick walls hold up to two inches of insulation for unmatched ice retention.
- Pressure-injected commercial-grade polyurethane foam in the walls and lid makes sure your ice stays ice.
- Makes it armored to the core and virtually indestructible.
- Model: 25L/ 50L /80L



TRE4X4 PROTECTION PARTS

FRONT BUMPER

REAR BUMPER

ROOF RACK(Steel)

ROOF RACK(Aluminium)

PLATFORM TRAY ROOF RACK

ROLL BAR

SIDE BAR

SKID PLATE

REAR LADDER

SIDE LADDER

WINCH HOLDER

REAR HITCH RECEIVER

ACCESSORIES:

Flagpole Rack

High-Lift Jack Rack

Rotatable Licence Plate Holder

Trailer Hitch

Trailer Hitch Connector

Rear Motorcycle Rack



DODGE

Ram 1500 Series

Front bumper

Rear bumper

Roll bar



FORD

EVEREST

RANGER T7

RAPTOR F150

RAPTOR F250/350/450/550

Front bumper

Rear bumper

Rear hitch receiver

Roof rack

Side bar

Roll bar



ISUZU

MUX 2015-2017
ISUZU MUX 2018+
ISUZU D-MAX 15-17
ISUZU D-MAX 2018+

Front bumper
Rear bumper
Roof rack
Roll bar
Side bar
Skid plate
Fuel tank
Fuel tank cover



JEEP

RENEGADE
WRANGLER JK
GRAND CHEROKEE

Front bumper
Rear bumper
Roof rack
Side bar
Rear hitch receiver



LAND ROVER

DISCOVERY

3/4

Front bumper

Roof rack

Rear ladder



LEXUS

LX470

LX570

Front bumper

Rear bumper

Roof rack

Side bar

Winch holder



mitsubishi

TRITON
PAJERO
PAJERO SPORT

Front bumper
Rear bumper
Roof rack
Roll bar
Side bar
Side ladder
Skid plate
Rear hitch receiver
Winch holder
Flagpole rack
Light bracket



NISSAN

PATROL Y60
PATROL Y61
PATROL Y62
PALADIN
NP300

Front bumper
Rear bumper
Roof rack
Side bar
Skid plate
Winch holder
Rear hitch receiver



TOYOTA

LC76/78/79

LC80/4500

LC90/3400

LC100/4700

FJ120/4000(2001-2009PRADO)

FJ150(PRADO)

LC200

FJ CRUISER

HILUX VIGO/REVO/ROCCO

FORTUNER

TUNDRA

4RUNNER

Front bumper

Rear bumper

Roof rack

Side bar

Skid plate

Winch holder

Rear hitch receiver



SUZUKI

GRAND

VITARA

JIMNY

Front bumper

Rear bumper

Roof rack

Side bar

Rear ladder



UAZ

HUNTER

Front bumper

Rear bumper

Roof rack

Side bar



TRE PLATFORM ROOF RACK

The TRE platform roof rack is what makes it stand out amongst any competition. TRE also offers the flexibility of allowing you to purchase removable rail kits. The removable aspect allow your vehicle to lower its height if necessary. The entire TRE platform Roof Rack system is also easily installed and removed when you want to clean the vehicle thoroughly.



Feature:

- Stylish and aerodynamically designed.
- Minimise wind drag and noise on the road.
- Non-corrosive so it won't rust or fade.
- Made from strong and durable materials and allows you maximum carrying capacity.
- Bars included with the platform.
- Compatible with many TRE accessories.
- Additional rail kits are available.
- Durable and lightweight aluminum and nylon construction.



TRE ROOF RACK

TRE Roof rack , you can store hauling extra luggage, camping equipments, bags when you travel.Built for outdoor camping and adventure lifestyle. It is very easy to install. With Strong and durable material , TRE roof rack will accompany will you all the way. TRE manufactures both steel and aluminium roof racks to suit a wide range of vehicle types and to meet customer's different needs.

Feature:

- Steel or Aluminum style to choose.
- Easy to install.
- Roof rack capacity meet your different needs.
- Made from strong and durable materials and allows you maximum carrying capacity.



PROMOTIONAL ITEMS



Car Sticker



T-Shirt/Cap



Sticker



Inflatable Arch



Tent



Silicone Bracelet



Key Chain



TRE Sport Bottle



TRE Rack



Flag



Banner Poster



X Display Rack